



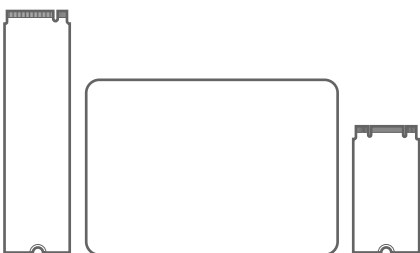
Embedded Solutions

2.5" PATA SSD

Transcend's 2.5" PATA SSD offers high-speed UDMA Mode 6 and installation flexibility for desktops, laptops or portable devices built around the 2.5" PATA (IDE) storage device standard. When replacing a traditional 2.5" IDE HDD with an SSD to enhance overall system performance, industrial-grade 2.5" PATA SSD is the optimal choice.

Features

- Suitable for wide-temperature applications
- Supports up to Ultra DMA Mode 6, Multi-word DMA Mode 2, and PIO Mode 4
- Fast system boot-up and smooth software application performance
- Supports security functions, S.M.A.R.T., and monitoring software
- On-chip hardware BCH-ECC engine corrects up to 40 bit errors per 1,024 bytes of data (PSD330)



Specifications

	PSD330	PSD520
Interface	True IDE	
Flash Type	MLC	SLC
Connector	44-pin, 2.0mm pitch	
Form Factor	2.5"	
Capacity	32GB~128GB	2GB~16GB
Sequential Read*	118 MB/s	119 MB/s
Sequential Write*	93 MB/s	100 MB/s
Operating Temperature	0°C~70°C**	
Storage Temperature	-40°C~85°C	
Humidity	0%~95%	
Shock	1500G, 0.5ms, 3 axis	
Vibration	20G (peak-to-peak), 20Hz to 2000Hz (frequency)	
Operating Voltage	5V±5%	
Power Consumption	1.2W (active), 0.004W (idle)	1.4W (active), 0.04W (idle)
Dimensions (max.)	100.3 x 69.85 x 7.4mm	
MTBF	1,000,000 hours	
Warranty	Three-year Limited Warranty	

*Maximum performance shown. Performance varies by capacity, user hardware, and system configuration.

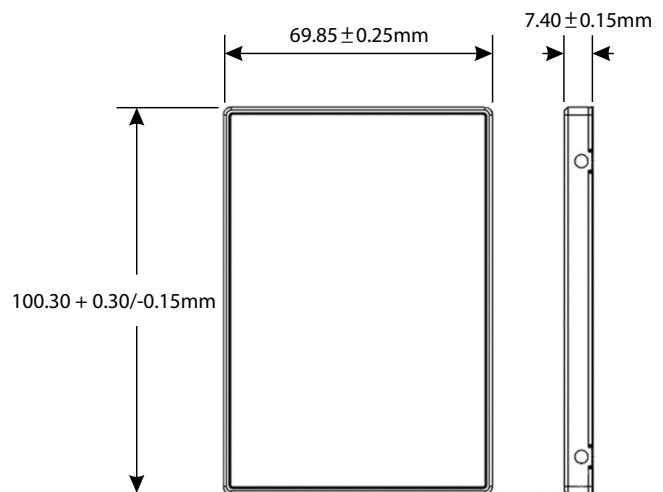
**Wide temperature (-40°C~85°C) available by request.

Ordering Information

PSD330	TS32GPSD330	32GB
	TS64GPSD330	64GB
	TS128GPSD330	128GB
PSD520	TS2GPSD520	2GB
	TS4GPSD520	4GB
	TS8GPSD520	8GB
	TS16GPSD520	16GB

Mechanical Dimensions

PSD330/PSD520



Tailored Options Available



Intelligent Power Shield



AES Encryption



Underfill



Conformal Coating

